

SPECIFICATIONS

Current Rating: 3A AC, DC
 Contact Resistance: 20mΩ Max.
 Insulation Resistance: 1000MΩ Min.
 Dielectric Voltage: 1000V AC for one minute
 Operation Temperature: -40°C to +105°C

MATERIAL

Insulator: Nylon 66, UL94V-0
 Contact Pin: Brass

ORDER INFORMATION

5 W 2 5 0 6 S 0 - 1 X X T 0 W B L A 0 1

Pitch 2.50mm

1:Single Row

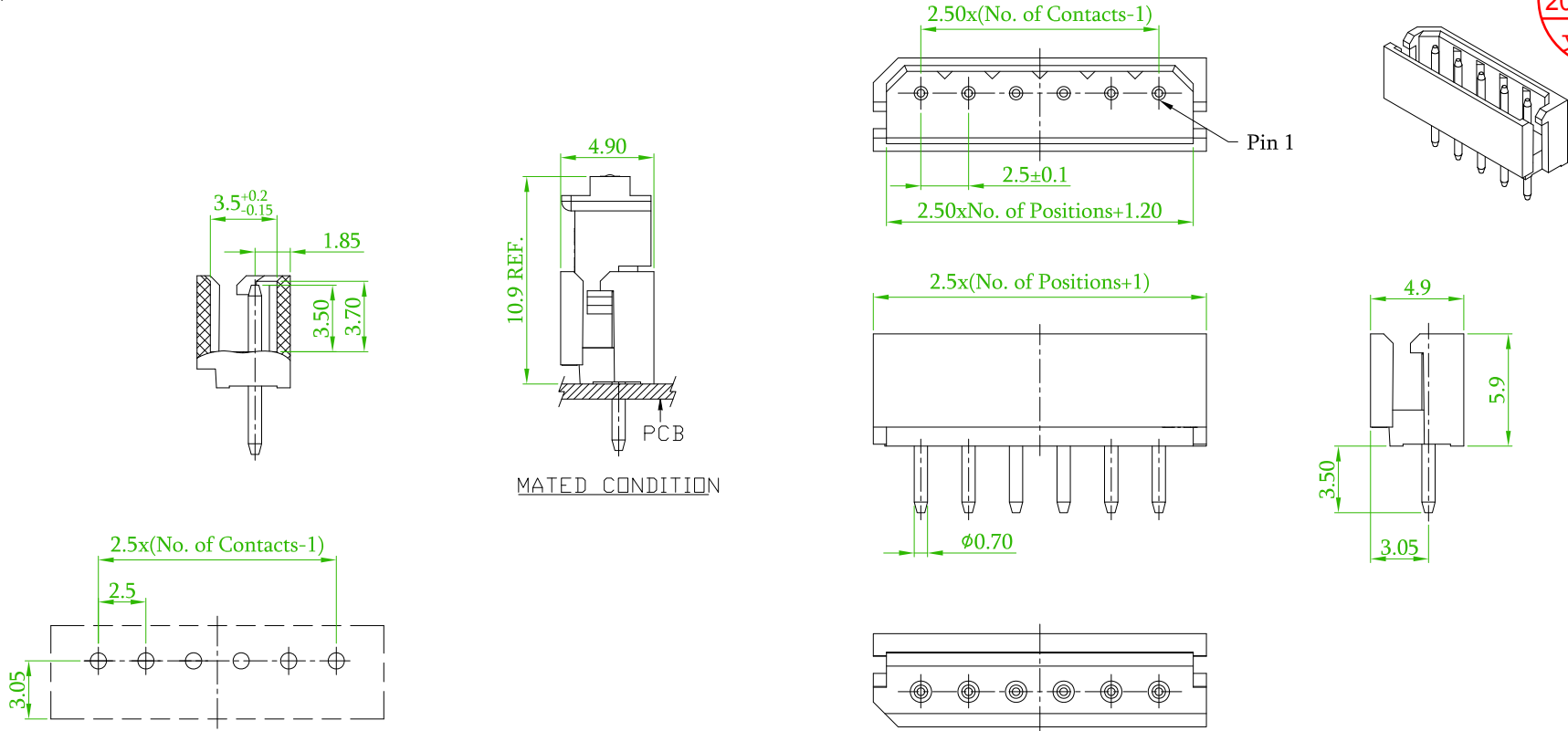
No. of contacts per row

T0: Tin Plated

W: Nylon Nature

B: Bag Package

RoHS



Recommended PCB Layout
 (PCB TOLERANCE ±0.1)

Old P/N: 2506S-XXTW-L

REV.	ECN NO. OR DESCRIPTION	REVISED	DATE
x1	Revise the operation temperature.	Gary	2017/10/25
x1	ECN No. : 170908, revised the color.	Killin	2017/09/07

 糧德精密有限公司 Amtek Technology Co., Ltd. TEL: 886-2-2260-6878 FAX: 886-2-2260-8030	品名 TITLE	2.5mm WAFER STRAIGHT				頁數 Page	1/1
	品號 PART NO.	5W2506S0-1XXT0WBLA01			繪圖 DRAWN	Roy	
	圖號 DRAWING NO.	GW090-KL026	版本 REV.	C	核對 CHECKED	Boris	
	客戶品號 CUSTOMER P/N		比例 SCALE	None	承認 APPROVED	Boris	
	公差 TOLERANCE	.X ± 0.25	單位 UNIT	mm	THIRD ANGLE PROJECTION		
		.XX ± 0.20					